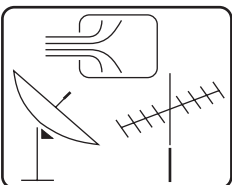


OPERATING INSTRUCTIONS

RCS 8

Return path cluster switch
for up to 8 cluster



SAT - Kabel[®]

Satelliten- und Kabelfernsehanlagen/Industrievertretung GmbH
Chemnitzer Straße 11 · 09217 Burgstädt

We thank you for buying of a product of the company SAT-Kabel®.

This operating instructions shall help you to understand the functions of the instrument and to ease its use. If you have questions about this instrument or suggestions for further improvements, please get in touch with us.

Contents

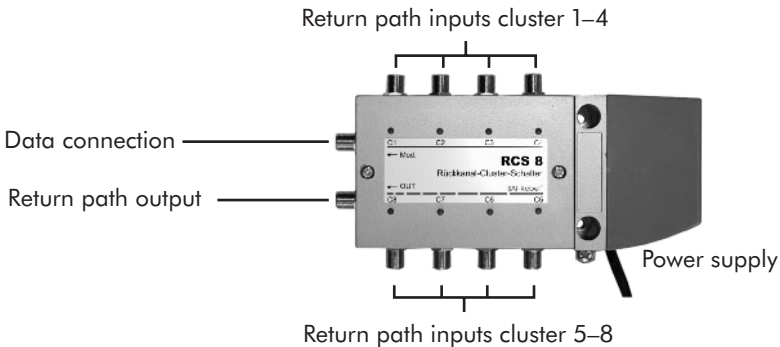
General	2
Function elements	2
Installation	3
Programming of the RCS 8	4
Function	5
Examples: CATV system with 3 Cluster	6
Technical data	7
Cleaning and maintenance	7
Guarantee	7

General

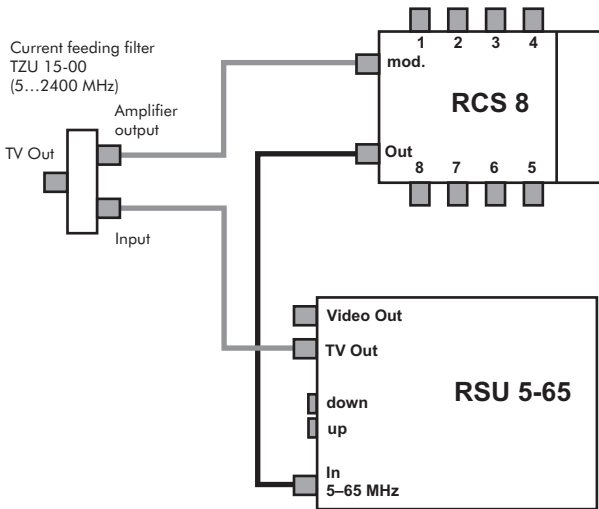
The return path cluster switch RCS 8 is designed to monitor up to eight return path cluster in connection with the return path spectrum converter RSU 5-65. It switches successively every activated input to the display on the spectrum converter. If a carrier is applied in a cluster of $>60...65 \text{ dB}(\mu\text{V})$, e. g. from a RFG 6, it stop its cycle. Now can be made return path adjustments in this cluster. After switch off of these carrier frequencies the cycle will be continued automatically. Thus alleviates this automatic switch adjustments of the return path at an operation of maximum eight cluster.

For a monitoring of more than eight cluster the use of our processional return path cluster monitoring RCÜ 70 is suitable.

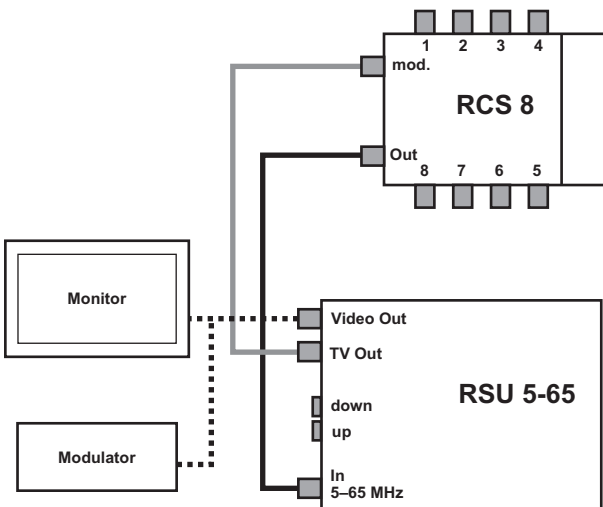
Function elements



Installation



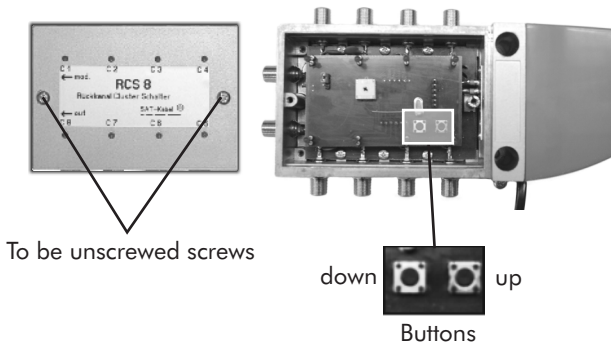
Connection of a RCS 8 to a
RSU 5-65 by use of the
integrated modulator



Connection of a RCS 8 to a
RSU 5-65 by a external
modulator (adjacent channel
suitable)

Programming of the RCS 8

For programming of the switch it is recommended to connect the RCS 8 to a RSU 5-65, like shown on page 3. In this way you can see the made adjustments on the TV screen. Subsequently unscrew the both screws on the top of the instrument and remove the cover carefully upwards. Now the both buttons for the programming are accessible (fig.).



In the following table are specified the according key orders

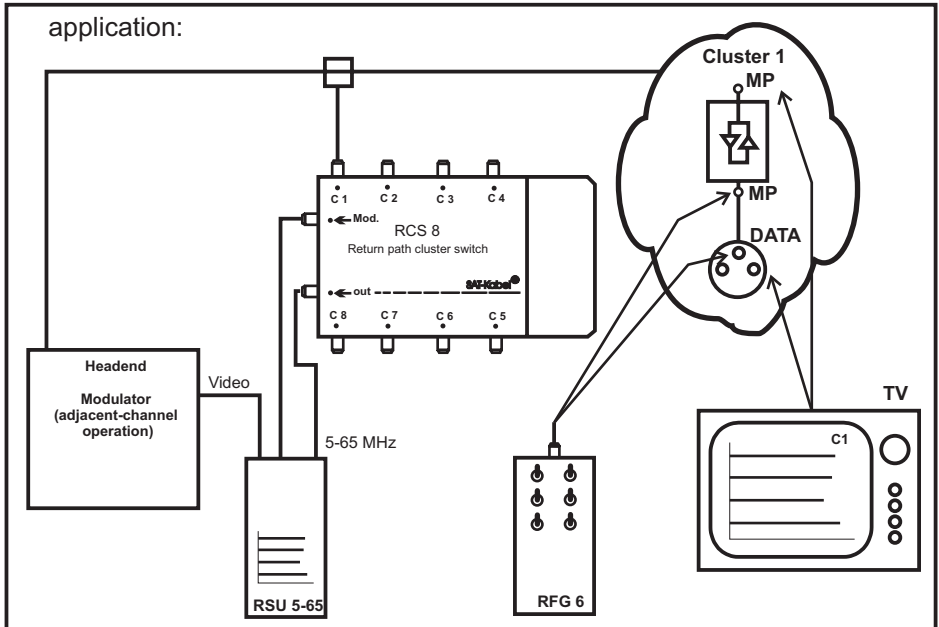
Order	Key combinations
Start the programming of the instrument	Push key 1 and 2 simultaneously so long, up to "P 0: ANZAHL CLUSTER :'" im Fernsehbild erscheint.
Adjust of the "P 0: NUMBER OF CLUSTER :'"	By shortly pushing of key 1 (down) or key 2 (up) can be adjusted the number between 1 and 8.
Adjustment of the "P 1: CYCLE TIME (IN S) :'"	By shortly pushing of key 1 (down) or key 2 (up) can be adjusted the time between 1 s and 99.
Changing between P 0 und P 1	By long pushing of key 1 or key 2 can be changed between the two program places.
Finish storage and programming	Push key 1 and 2 simultaneously up to "SAVE RCS8 EINSTELLUNGEN" erscheint.

After the programming fasten the cover again carefully on the top – all LED must be in the according holes of the cover – and with BOTH screws tighten(screening). Now the instrument is ready for use.

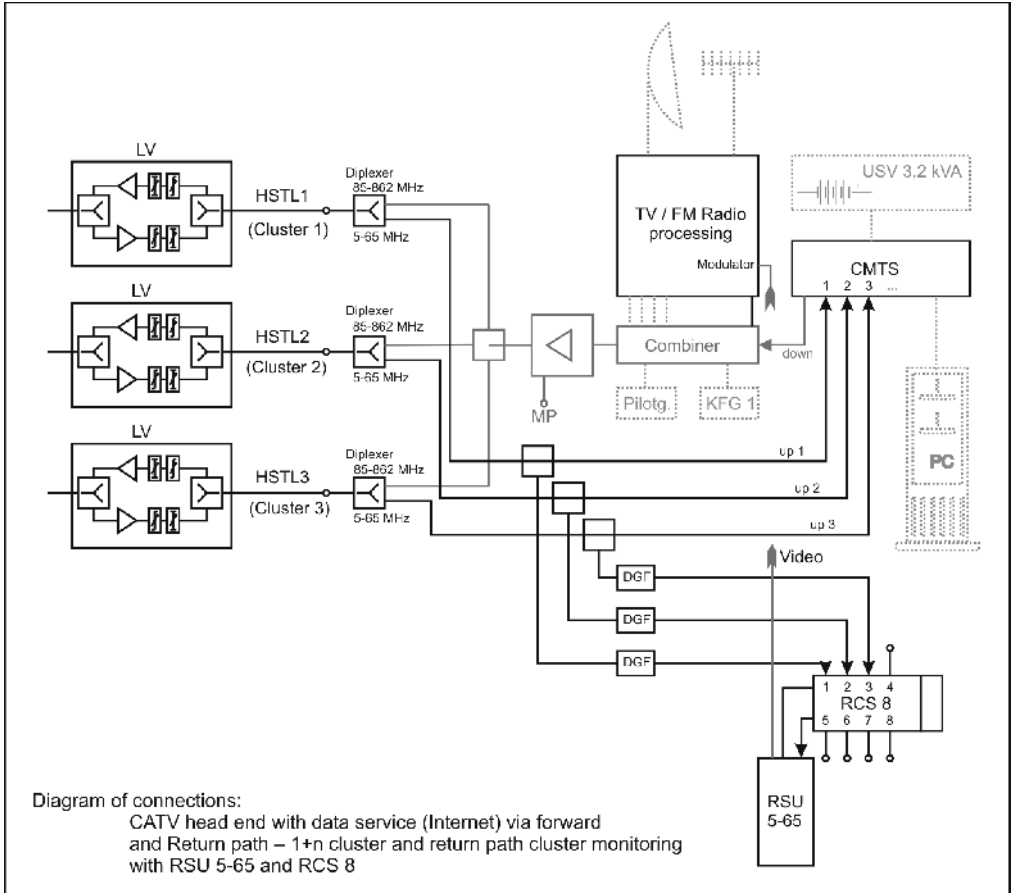
Function

The RCS 8 measures from the switched cluster in each case the existing power spectrum in the range of 20 to 65 MHz.

At an existing carrier of more than $65 \text{ dB}(\mu\text{V})$ delays the RCS 8 at this cluster so long, till the level is decreased below $65 \text{ dB}(\mu\text{V})$. This happens e.g. at a connected RFG 6 with a switched frequency from 20 MHz. If 4 carriers are existing, than stops the RCS 8 already at ca. $60 \text{ dB}(\mu\text{V})$ so long, till the level are decreased below $60 \text{ dB}(\mu\text{V})$. The actual switched cluster number is displayed from the connected RSU 5-65 in the TV picture top right.



Example: CATV system with 3 cluster



Technical data

Inputs:	8, number of the activated adjustable
Monitored frequency range:	20–65 MHz
Switching threshold:	65 dB(μ V) at 1 carrier frequency, ca. 60 dB(μ V) at 4 carrier frequencies
Power supply:	230 VAC/15 mA
Power consumption:	ca. 3,5 W
Ambient temperature:	0–40 °C
dimension:	170 mm × 87 mm × 50 mm
weight:	620 g

Cleaning and maintenance

The surface of the housing can be cleaned with a dry, soft and lintfree cloth. Do not use aggressive solvents for the cleaning.

Guarantee

State July 2006

For this instrument will be granted a service life (in following called guarantee) to following conditions:

- This guarantee is valid for new instruments purchased in Germany.
- New instruments and their components, which are defective because of production faults and/or material faults, are repaired or are replaced from SAT-Kabel® against a corresponding instrument.
- For wear parts, like accumulators, keyboards, housings, bags, connecting cables this guarantee is valid for 6 month from the purchasing date.
- The guarantee claim expires at matings by the purchaser or third persons.
- At defects, caused by improper handling or operating, by wrong installation or store, by improper connection or mounting, no guarantee is granted .
- For not justified demand of our service we charge for our service the usual payment for material, working hours and forwarding costs.
- Repairs are only made with filled service covering.

(Forms for service coverings and further information are found in the standard form contracts under: www.sat-kabel.de)

SAT-Kabel®

Satelliten- und Kabelfernsehanlagen/Industrievertretung GmbH

Telefon: +49 3724 6665-0

Telefax: +49 3724 6665-44

E-Mail: info@sat-kabel.de

Internet: www.sat-kabel.de

Errors, technical amendmends and developments are subject to change without notice!

